

RK300-03 CO₂ transmitter is using NDIR principle to detect the CO₂ concentration in the air, designed with advanced infrared absorption gas detection technology ,a precise optical path and an excellent circuit. A temperature sensor built-in realizes temperature compensation to ensure the accuracy of measurement. It is without oxygen dependence , of long service life.

FEATURES

- High Sensitivity
- Fast response
- Effective resistance to water vapor
- Excellent stability
- Long service life



Indoor



Outdoor

APPLICATIONS

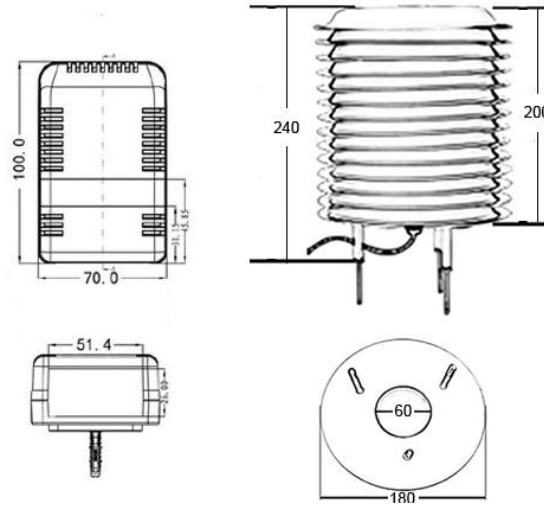
- Air quality monitoring
- Smart home
- Warehousing
- Public place
- Green house
- Animal husbandry

TECHNICAL SPECIFICATION

Item	Technical Specification
Range(concentration)	0-5000ppm,0-10000ppm
Accuracy	±50ppm+2%rdg @25°C
Supply	5VDC,12-24VDC
Output	4-20mA,0-5V,RS485
Power Consumption	<0.25W
Warm Up Time	3min
Response Time	<20s
Temperature Drift	≤0.2%FS/°C
Stability	<±40ppm/year
Repeatability	<±1%FS
Operating Temperature	-20°C-+60°C@ 15-80%RH
Storage	-40-70°C@ 20%-90%RH
Shell Material	ABS

DIMENSION

Unit:mm




Indoor(wall-mounted installation)

Outdoor

PARAMETER SELECTION TABLE

Remark	Series	Type	Range	Indoor /Outdoor	Supply	Output	Cable Length	
RK								
	300							
		03						
			A					0-5000ppm
			B					0-10000ppm
			X					Other
				A				Indoor
				B				Outdoor(with radiation shield)
					A			5V
					B			12-24V
					X			Other
						A		4-20mA
						B		0-5V
						C		0-10V
						D		RS485
						X		Other
							2000	Units:mm (typ)
							3000	Units:mm
							...	Units:mm

Example: RK300-03BABA2000 0-5000ppm, Indoor, Supply:12-24V, Output:4-20mA, Cable Length:2m.

 Complies with applicable CE directives.

Specifications subject to change without notice. Version 3.0

Copyright © 2015 Hunan Rika Electronic Tech Co.,Ltd

Hunan Rika Electronic Tech Co., Ltd

Add: Building B5, Taskin, Yuhua District,
Changsha City, Hunan Province,
China



+86-731-85132979



info@rikasensor.com



www.rikasensor.com